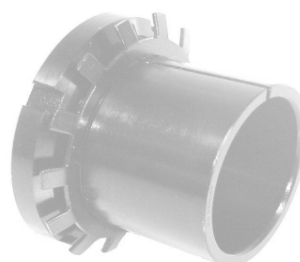
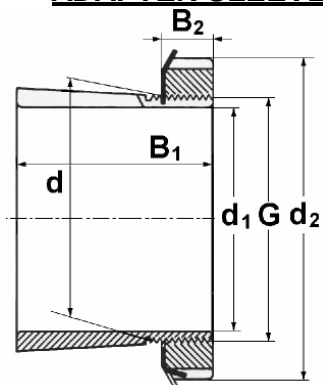
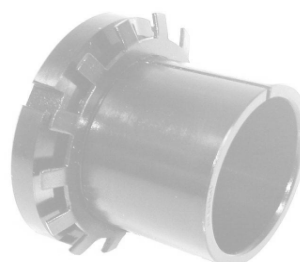
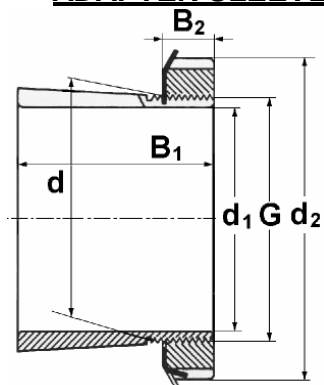


ADAPTER SLEEVES



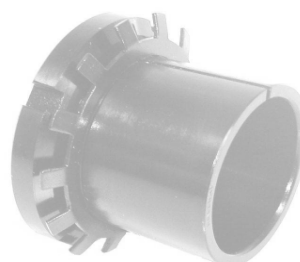
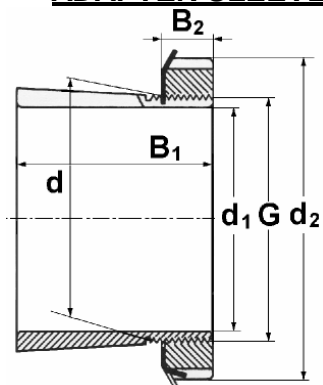
| Sleeve | Principal dimensions | | | | | | Weight | Lock nut | Locking device |
|--------|----------------------|----|----|----|------|----------|--------|----------|----------------|
| Type | d1 mm | d | d3 | B1 | B2 | G | kg | | |
| H 204 | 17 | 20 | 32 | 24 | 7 | M 20x1 | 0,041 | KM 4 | MB 4 |
| H 2304 | 17 | 20 | 32 | 31 | 7 | M 20x1 | 0,049 | KM 4 | MB 4 |
| H 304 | 17 | 20 | 32 | 28 | 7 | M 20x1 | 0,045 | KM 4 | MB 4 |
| H 205 | 20 | 25 | 38 | 26 | 8 | M 25x1,5 | 0,070 | KM 5 | MB 5 |
| H 2305 | 20 | 25 | 38 | 35 | 8 | M 25x1,5 | 0,087 | KM 5 | MB 5 |
| H 305 | 20 | 25 | 38 | 29 | 8 | M 25x1,5 | 0,075 | KM 5 | MB 5 |
| H 206 | 25 | 30 | 45 | 27 | 8 | M 30x1,5 | 0,099 | KM 6 | MB 6 |
| H 2306 | 25 | 30 | 45 | 38 | 8 | M 30x1,5 | 0,126 | KM 6 | MB 6 |
| H 306 | 25 | 30 | 45 | 31 | 8 | M 30x1,5 | 0,109 | KM 6 | MB 6 |
| H 207 | 30 | 35 | 52 | 29 | 9 | M 35x1,5 | 0,125 | KM 7 | MB 7 |
| H 2307 | 30 | 35 | 52 | 43 | 9 | M 35x1,5 | 0,165 | KM 7 | MB 7 |
| H 307 | 30 | 35 | 52 | 35 | 9 | M 35x1,5 | 0,142 | KM 7 | MB 7 |
| H 208 | 35 | 40 | 58 | 31 | 10 | M 40x1,5 | 0,174 | KM 8 | MB 8 |
| H 2308 | 35 | 40 | 58 | 46 | 10 | M 40x1,5 | 0,224 | KM 8 | MB 8 |
| H 308 | 35 | 40 | 58 | 36 | 10 | M 40x1,5 | 0,189 | KM 8 | MB 8 |
| H 209 | 40 | 45 | 65 | 33 | 11 | M 45x1,5 | 0,227 | KM 9 | MB 9 |
| H 2309 | 40 | 45 | 65 | 50 | 11 | M 45x1,5 | 0,280 | KM 9 | MB 9 |
| H 309 | 40 | 45 | 65 | 39 | 11 | M 45x1,5 | 0,248 | KM 9 | MB 9 |
| H 210 | 45 | 50 | 70 | 35 | 12 | M 50x1,5 | 0,274 | KM 10 | MB 10 |
| H 2310 | 45 | 50 | 70 | 55 | 12 | M 50x1,5 | 0,362 | KM 10 | MB 10 |
| H 310 | 45 | 50 | 70 | 42 | 12 | M 50x1,5 | 0,303 | KM 10 | MB 10 |
| H 211 | 50 | 55 | 75 | 37 | 12,5 | M 55x2 | 0,308 | KM 11 | MB 11 |
| H 2311 | 50 | 55 | 75 | 59 | 12,5 | M 55x2 | 0,420 | KM 11 | MB 11 |
| H 311 | 50 | 55 | 75 | 45 | 12,5 | M 55x2 | 0,345 | KM 11 | MB 11 |
| H 212 | 55 | 60 | 80 | 38 | 13 | M 60x2 | 0,346 | KM 12 | MB 12 |
| H 2312 | 55 | 60 | 80 | 62 | 13 | M 60x2 | 0,481 | KM 12 | MB 12 |
| H 312 | 55 | 60 | 80 | 47 | 13 | M 60x2 | 0,394 | KM 12 | MB 12 |
| H 213 | 60 | 65 | 85 | 40 | 14 | M 65x2 | 0,401 | KM 13 | MB 13 |
| H 214 | 60 | 70 | 92 | 41 | 14 | M 70x2 | 0,593 | KM 14 | MB 14 |
| H 2313 | 60 | 65 | 85 | 65 | 14 | M 65x2 | 0,557 | KM 13 | MB 13 |
| H 2314 | 60 | 70 | 92 | 68 | 14 | M 70x2 | 0,897 | KM 14 | MB 14 |
| H 313 | 60 | 65 | 85 | 50 | 14 | M 65x2 | 0,458 | KM 13 | MB 13 |
| H 314 | 60 | 70 | 92 | 52 | 14 | M 70x2 | 0,723 | KM 14 | MB 14 |
| H 215 | 65 | 75 | 98 | 43 | 15 | M 75x2 | 0,707 | KM 15 | MB 15 |
| H 2315 | 65 | 75 | 98 | 73 | 15 | M 75x2 | 1,050 | KM 15 | MB 15 |

ADAPTER SLEEVES



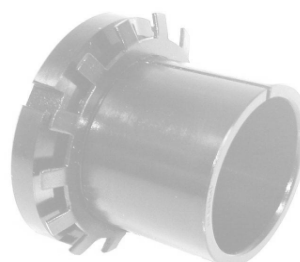
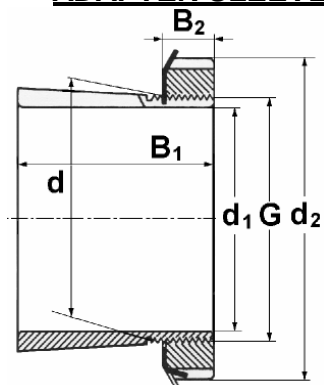
| Sleeve | | Principal dimensions | | | | | Weight | Lock nut | Locking device |
|--------|-------|----------------------|-----|-----|----|---------|--------|----------|----------------|
| Type | d1 mm | d | d3 | B1 | B2 | G | kg | | |
| H 315 | 65 | 75 | 98 | 55 | 15 | M 75x2 | 0,831 | KM 15 | MB 15 |
| H 216 | 70 | 80 | 105 | 46 | 17 | M 80x2 | 0,882 | KM 16 | MB 16 |
| H 2316 | 70 | 80 | 105 | 78 | 17 | M 80x2 | 1,280 | KM 16 | MB 16 |
| H 316 | 70 | 80 | 105 | 59 | 17 | M 80x2 | 1,030 | KM 16 | MB 16 |
| H 217 | 75 | 85 | 110 | 50 | 18 | M 85x2 | 1,020 | KM 17 | MB 17 |
| H 2317 | 75 | 85 | 110 | 82 | 18 | M 85x2 | 1,450 | KM 17 | MB 17 |
| H 317 | 75 | 85 | 110 | 63 | 18 | M 85x2 | 1,180 | KM 17 | MB 17 |
| H 218 | 80 | 90 | 120 | 52 | 18 | M 90x2 | 1,190 | KM 18 | MB 18 |
| H 2318 | 80 | 90 | 120 | 86 | 18 | M 90x2 | 1,690 | KM 18 | MB 18 |
| H 318 | 80 | 90 | 120 | 65 | 18 | M 90x2 | 1,370 | KM 18 | MB 18 |
| H 219 | 85 | 95 | 125 | 55 | 19 | M 95x2 | 1,370 | KM 19 | MB 19 |
| H 2319 | 85 | 95 | 125 | 90 | 19 | M 95x2 | 1,920 | KM 19 | MB 19 |
| H 319 | 85 | 95 | 125 | 68 | 19 | M 95x2 | 1,560 | KM 19 | MB 19 |
| H 220 | 90 | 100 | 130 | 58 | 20 | M 100x2 | 1,490 | KM 20 | MB 20 |
| H 2320 | 90 | 100 | 130 | 97 | 20 | M 100x2 | 2,150 | KM 20 | MB 20 |
| H 3120 | 90 | 100 | 130 | 76 | 20 | M 100x2 | 1,800 | KM 20 | MB 20 |
| H 320 | 90 | 100 | 130 | 71 | 20 | M 100x2 | 1,690 | KM 20 | MB 20 |
| H 221 | 95 | 105 | 140 | 60 | 20 | M 105x2 | 1,720 | KM 21 | MB 21 |
| H 321 | 95 | 105 | 140 | 74 | 20 | M 105x2 | 1,950 | KM 21 | MB 21 |
| H 222 | 100 | 110 | 145 | 63 | 21 | M 110x2 | 1,930 | KM 22 | MB 22 |
| H 2322 | 100 | 110 | 145 | 105 | 21 | M 110x2 | 2,740 | KM 22 | MB 22 |
| H 3122 | 100 | 110 | 145 | 81 | 21 | M 110x2 | 2,250 | KM 22 | MB 22 |
| H 322 | 100 | 110 | 145 | 77 | 21 | M 110x2 | 2,180 | KM 22 | MB 22 |
| H 2324 | 110 | 120 | 155 | 112 | 22 | M 120x2 | 3,190 | KM 24 | MB 24 |
| H 3024 | 110 | 120 | 145 | 72 | 22 | M 120x2 | 1,930 | KML 24 | MBL 24 |
| H 3124 | 110 | 120 | 155 | 88 | 22 | M 120x2 | 2,640 | KM 24 | MB 24 |
| H 2326 | 115 | 130 | 165 | 121 | 23 | M 130x2 | 4,600 | KM 26 | MB 26 |
| H 3026 | 115 | 130 | 155 | 80 | 23 | M 130x2 | 2,850 | KML 26 | MBL 26 |
| H 3126 | 115 | 130 | 165 | 92 | 23 | M 130x2 | 3,660 | KM 26 | MB 26 |
| H 2328 | 125 | 140 | 180 | 131 | 24 | M 140x2 | 5,550 | KM 28 | MB 28 |
| H 3028 | 125 | 140 | 165 | 82 | 24 | M 140x2 | 3,160 | KML 28 | MBL 28 |
| H 3128 | 125 | 140 | 180 | 97 | 24 | M 140x2 | 4,340 | KM 28 | MB 28 |
| H 2330 | 135 | 150 | 195 | 139 | 26 | M 150x2 | 6,630 | KM 30 | MB 30 |
| H 3030 | 135 | 150 | 180 | 87 | 26 | M 150x2 | 3,890 | KML 30 | MBL 30 |
| H 3130 | 135 | 150 | 195 | 111 | 26 | M 150x2 | 5,520 | KM 30 | MB 30 |

ADAPTER SLEEVES



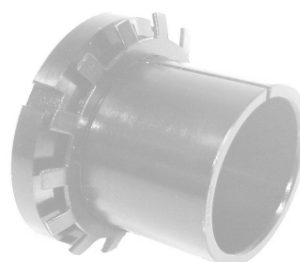
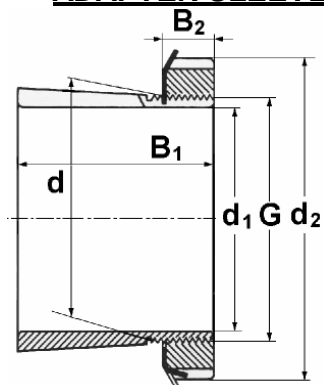
| Sleeve | Principal dimensions | | | | | Weight | Lock nut | Locking device | |
|-----------|----------------------|-----|-----|-----|------|----------|----------|----------------|--------|
| Type | d1 mm | d | d3 | B1 | B2 | G | kg | | |
| H 2332 | 140 | 160 | 210 | 147 | 28 | M 160x3 | 9,140 | KM 32 | MB 32 |
| H 3032 | 140 | 160 | 190 | 93 | 27,5 | M 160x3 | 5,210 | KML 32 | MBL 32 |
| H 3132 | 140 | 160 | 210 | 119 | 28 | M 160x3 | 7,670 | KM 32 | MB 32 |
| H 2334 | 150 | 170 | 220 | 154 | 29 | M 170x3 | 10,200 | KM 34 | MB 34 |
| H 3034 | 150 | 170 | 200 | 101 | 28,5 | M 170x3 | 5,990 | KML 34 | MBL 34 |
| H 3134 | 150 | 170 | 220 | 122 | 29 | M 170x3 | 8,380 | KM 34 | MB 34 |
| H 2336 | 160 | 180 | 230 | 161 | 30 | M 180x3 | 11,300 | KM 36 | MB 36 |
| H 2336 OH | 160 | 180 | 230 | 161 | 30 | Tr180x3 | 11,000 | KM36 | MB36 |
| H 3036 | 160 | 180 | 210 | 109 | 29,5 | M 180x3 | 6,830 | KML 36 | MBL 36 |
| H 3036 OH | 160 | 180 | 210 | 109 | 29,5 | Tr180x3 | 6,700 | KML36 | MBL36 |
| H 3136 | 160 | 180 | 230 | 131 | 30 | M 180x3 | 9,500 | KM 36 | MB 36 |
| H 3136 OH | 160 | 180 | 230 | 131 | 30 | M180X3 | 9,150 | KM36 | MB36 |
| H 3936 | 160 | 180 | 210 | 87 | 29,5 | M180x3 | 5,700 | KML36 | MBL36 |
| H 2338 | 170 | 190 | 240 | 169 | 31 | M 190x3 | 12,600 | KM 38 | MB 38 |
| H 2338 OH | 170 | 190 | 240 | 169 | 31 | Tr190x3 | 12,000 | KM38 | MB38 |
| H 3038 | 170 | 190 | 220 | 112 | 30,5 | M 190x3 | 7,450 | KML 38 | MBL 38 |
| H 3038 OH | 170 | 190 | 220 | 112 | 30,5 | Tr190x3 | 7,250 | KML38 | MBL38 |
| H 3138 | 170 | 190 | 240 | 141 | 31 | M 190x3 | 10,800 | KM 38 | MB 38 |
| H 3138 OH | 170 | 190 | 240 | 141 | 31 | M190X3 | 10,500 | KM38 | MB38 |
| H 3938 | 170 | 190 | 220 | 89 | 30,5 | M190x3 | 6,190 | KML38 | MBL38 |
| H 2340 | 180 | 200 | 250 | 176 | 32 | M 200x3 | 13,900 | KM 40 | MB 40 |
| H 2340 OH | 180 | 200 | 250 | 176 | 32 | Tr200x3 | 13,500 | KM40 | MB40 |
| H 3040 | 180 | 200 | 240 | 120 | 31,5 | M 200x3 | 9,190 | KML 40 | MBL 40 |
| H 3040 OH | 180 | 200 | 240 | 120 | 31,5 | Tr200x3 | 8,900 | KML40 | MBL40 |
| H 3140 | 180 | 200 | 250 | 150 | 32 | M 200x3 | 12,100 | KM 40 | MB 40 |
| H 3140 OH | 180 | 200 | 250 | 150 | 32 | M200X3 | 12,000 | KM40 | MB40 |
| H 3940 | 180 | 200 | 240 | 98 | 31,5 | M200x3 | 7,890 | KML40 | MBL40 |
| H 2344 | 200 | 220 | 280 | 186 | 35 | Tr220x4 | 17,000 | HM 44 T | MB 44 |
| H 2344 OH | 200 | 220 | 280 | 186 | 35 | Tr220x4 | 17,000 | HM44T | MB44 |
| H 3044 | 200 | 220 | 260 | 126 | 30 | Tr220x4 | 10,300 | HM3044 | MS3044 |
| H 3044 OH | 200 | 220 | 260 | 126 | 30 | Tr220x4 | 9,900 | HM3044 | MS3044 |
| H 3144 | 200 | 220 | 280 | 161 | 35 | Tr220x4 | 15,000 | HM44T | MB44 |
| H 3144 OH | 200 | 220 | 280 | 161 | 35 | Tr200x3 | 15,000 | HM44T | MB44 |
| H 3944 | 200 | 220 | 260 | 96 | 30 | Tr220x4 | 8,160 | HM3044 | MS3044 |
| H 2348 | 220 | 240 | 300 | 199 | 37 | Tr 240x4 | 20,000 | HM 48 T | MB 48 |

ADAPTER SLEEVES



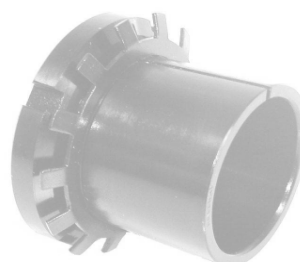
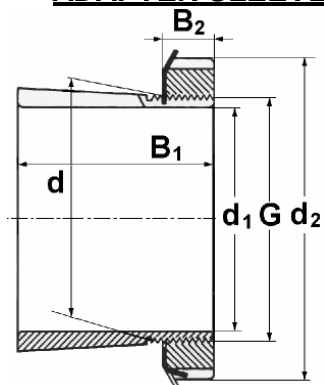
| Sleeve | Principal dimensions | | | | | Weight | Lock nut | Locking device | |
|-----------|----------------------|-----|-----|-----|----|----------|----------|----------------|-----------|
| Type | d1 mm | d | d3 | B1 | B2 | G | kg | | |
| H 2348 OH | 220 | 240 | 300 | 199 | 37 | Tr240x4 | 19,000 | HM48T | MB48 |
| H 3048 | 220 | 240 | 290 | 133 | 34 | Tr240x4 | 13,200 | HM3048 | MS3048 |
| H 3048 OH | 220 | 240 | 290 | 133 | 34 | Tr240x4 | 12,000 | HM3048 | MS3052-48 |
| H 3148 | 220 | 240 | 300 | 172 | 37 | Tr240x4 | 17,600 | HM48T | MB48 |
| H 3148 OH | 220 | 240 | 300 | 172 | 37 | Tr240x4 | 16,500 | HM48T | MB48 |
| H 3948 | 220 | 240 | 290 | 101 | 34 | Tr240x4 | 11,000 | HM3048 | MS3048 |
| H 2352 | 240 | 260 | 330 | 211 | 39 | Tr 260x4 | 24,500 | HM 52 T | MB 52 |
| H 2352 OH | 240 | 260 | 330 | 211 | 39 | Tr260x4 | 23,000 | HM52T | MB52 |
| H 3052 | 240 | 260 | 310 | 145 | 34 | Tr260x4 | 13,500 | HM3052 | MS3052-48 |
| H 3052 | 240 | 260 | 310 | 145 | 34 | Tr260x4 | 15,300 | HM3052 | MS3052 |
| H 3052 OH | 240 | 260 | 310 | 145 | 34 | Tr260x4 | 13,500 | HM3052 | MS3052-48 |
| H 3152 | 240 | 260 | 330 | 190 | 39 | Tr260x4 | 22,300 | HM52T | MB52 |
| H 3152 OH | 240 | 260 | 330 | 190 | 39 | Tr260x4 | 21,000 | HM52T | MB52 |
| H 3952 | 240 | 260 | 310 | 116 | 34 | Tr260x4 | 12,800 | HM3052 | MS3052 |
| H 2356 | 260 | 280 | 350 | 224 | 41 | Tr 280x4 | 28,400 | HM 56 T | MB 56 |
| H 2356 OH | 260 | 280 | 350 | 224 | 41 | Tr280x4 | 27,000 | HM56T | MB56 |
| H 3056 | 260 | 280 | 330 | 152 | 38 | Tr280x4 | 17,700 | HM3056 | MS3056 |
| H 3056 OH | 260 | 280 | 330 | 152 | 38 | Tr280x4 | 16,000 | HM3056 | MS3056 |
| H 3156 | 260 | 280 | 350 | 195 | 41 | Tr280x4 | 25,100 | HM56T | MB56 |
| H 3156 OH | 260 | 280 | 330 | 195 | 41 | Tr280x4 | 19,300 | HM3056 | MS3056 |
| H 3956 | 260 | 280 | 330 | 121 | 38 | Tr280x4 | 15,300 | HM3056 | MS3056 |
| H 3060 | 280 | 300 | 360 | 168 | 42 | Tr300x4 | 20,500 | HM3060 | MS3060 |
| H 3060 | 280 | 300 | 360 | 168 | 42 | Tr300x4 | 22,800 | HM3060 | MS3060 |
| H 3060 OH | 280 | 300 | 360 | 168 | 42 | Tr300x4 | 20,500 | HM3060 | MS3060 |
| H 3160 | 280 | 300 | 380 | 208 | 40 | Tr300x4 | 30,200 | HM3160 | MS3160 |
| H 3160 OH | 280 | 300 | 380 | 208 | 40 | Tr300x4 | 29,000 | HM3160 | MS3160 |
| H 3260 | 280 | 300 | 380 | 240 | 40 | Tr300x4 | 34,100 | HM3160 | MS3160 |
| H 3260 OH | 280 | 300 | 380 | 240 | 40 | Tr300x4 | 32,000 | HM3160 | MS3160 |
| H 3960 | 280 | 300 | 360 | 140 | 42 | Tr300x4 | 20,000 | HM3060 | MS3060 |
| H 3064 | 300 | 320 | 380 | 171 | 42 | Tr320x5 | 24,600 | HM3064 | MS3064 |
| H 3064 OH | 300 | 320 | 380 | 171 | 42 | Tr320x5 | 22,000 | HM3064 | MS3068-64 |
| H 3164 | 300 | 320 | 400 | 226 | 42 | Tr320x5 | 34,900 | HM3164 | MS3164 |
| H 3164 OH | 300 | 320 | 400 | 226 | 42 | Tr320x5 | 32,000 | HM3164 | MS3164 |
| H 3264 | 300 | 320 | 400 | 258 | 42 | Tr320x5 | 39,300 | HM3164 | MS3164 |
| H 3264 OH | 300 | 320 | 400 | 258 | 42 | Tr320x5 | 35,000 | HM3164 | MS3164 |

ADAPTER SLEEVES



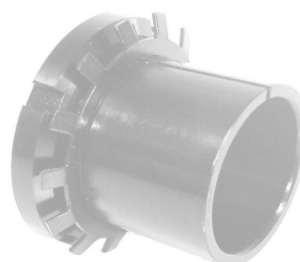
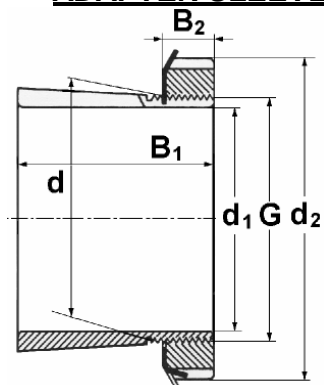
| Sleeve | Principal dimensions | | | | | | Weight | Lock nut | Locking device |
|-----------|----------------------|-----|-----|-----|----|---------|--------|----------|----------------|
| Type | d1 mm | d | d3 | B1 | B2 | G | kg | | |
| H 3964 | 300 | 320 | 380 | 140 | 42 | Tr320x5 | 21,500 | HM3064 | MS3064 |
| H 3068 | 320 | 340 | 400 | 187 | 45 | Tr340x5 | 28,700 | HM3068 | MS3068 |
| H 3068 OH | 320 | 340 | 400 | 187 | 45 | Tr340x5 | 27,000 | HM3068 | MS3068-64 |
| H 3168 | 320 | 340 | 440 | 254 | 55 | Tr340x5 | 50,000 | HM3168 | MS3168 |
| H 3168 OH | 320 | 340 | 440 | 254 | 55 | Tr340x5 | 50,000 | HM3168 | MS3172-68 |
| H 3268 | 320 | 340 | 440 | 288 | 55 | Tr340x5 | 54,600 | HM3168 | MS3168 |
| H 3268 OH | 320 | 340 | 440 | 288 | 55 | Tr340x5 | 51,500 | HM3168 | MS3172-68 |
| H 3968 | 320 | 340 | 400 | 144 | 45 | Tr340x5 | 24,500 | HM3068 | MS3068 |
| H 3072 | 340 | 360 | 420 | 188 | 45 | Tr360x5 | 30,500 | HM3072 | MS3072 |
| H 3072 OH | 340 | 360 | 420 | 188 | 45 | Tr360x5 | 29,000 | HM3072 | MS3072 |
| H 3172 | 340 | 360 | 460 | 259 | 58 | Tr360x5 | 56,000 | HM3172 | MS3172 |
| H 3172 OH | 340 | 360 | 460 | 259 | 58 | Tr360x5 | 56,000 | HM3172 | MS3172-68 |
| H 3272 | 340 | 360 | 460 | 299 | 58 | Tr360x5 | 60,600 | HM3172 | MS3172 |
| H 3272 OH | 340 | 360 | 460 | 299 | 58 | Tr360x5 | 60,500 | HM3172 | MS3172-68 |
| H 3972 | 340 | 360 | 420 | 144 | 45 | Tr360x5 | 25,200 | HM3072 | MS3072 |
| H 3076 | 360 | 380 | 450 | 193 | 48 | Tr380x5 | 35,800 | HM3076 | MS3076 |
| H 3076 OH | 360 | 380 | 450 | 193 | 48 | Tr380x5 | 35,500 | HM3076 | MS3080-76 |
| H 3176 | 360 | 380 | 490 | 264 | 60 | Tr380x5 | 61,700 | HM3176 | MS3176 |
| H 3176 OH | 360 | 380 | 490 | 264 | 60 | Tr380x5 | 61,500 | HM3176 | MS3176 |
| H 3276 | 360 | 380 | 490 | 310 | 60 | Tr380x5 | 69,600 | HM3176 | MS3176 |
| H 3276 OH | 360 | 380 | 490 | 310 | 60 | Tr380x5 | 69,500 | HM3176 | MS3176 |
| H 3976 | 360 | 380 | 450 | 164 | 48 | Tr380x5 | 31,500 | HM3076 | MS3076 |
| H 3080 | 380 | 400 | 470 | 210 | 52 | Tr400x5 | 41,300 | HM3080 | MS3080 |
| H 3080 OH | 380 | 400 | 470 | 210 | 52 | Tr400x5 | 40,000 | HM3080 | MS3080-76 |
| H 3180 | 380 | 400 | 520 | 272 | 62 | Tr400x5 | 73,000 | HM3180 | MS3180 |
| H 3180 OH | 380 | 400 | 520 | 272 | 62 | Tr400x5 | 73,000 | HM3180 | MS3184-80 |
| H 3280 | 380 | 400 | 520 | 328 | 62 | Tr400x5 | 81,000 | HM3180 | MS3180 |
| H 3280 OH | 380 | 400 | 520 | 328 | 62 | Tr400x5 | 87,000 | HM3180 | MS3184-80 |
| H 3980 | 380 | 400 | 470 | 168 | 52 | Tr400x5 | 35,000 | HM3080 | MS3080 |
| H 3084 | 400 | 420 | 490 | 212 | 52 | Tr420x5 | 43,700 | HM3084 | MS3084 |
| H 3084 OH | 400 | 420 | 490 | 212 | 52 | Tr420x5 | 47,000 | HM3084 | MS3084 |
| H 3184 | 400 | 420 | 540 | 304 | 70 | Tr420x5 | 84,200 | HM3184 | MS3184 |
| H 3184 OH | 400 | 420 | 540 | 304 | 70 | Tr420x5 | 80,000 | HM3184 | MS3184-80 |
| H 3284 | 400 | 420 | 540 | 352 | 70 | Tr420x5 | 96,000 | HM3184 | MS3184 |
| H 3284 OH | 400 | 420 | 540 | 352 | 70 | Tr420x5 | 96,000 | HM3184 | MS3184-80 |

ADAPTER SLEEVES



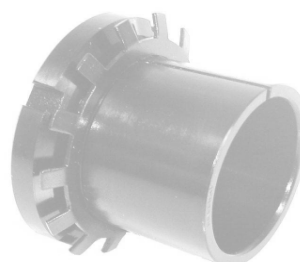
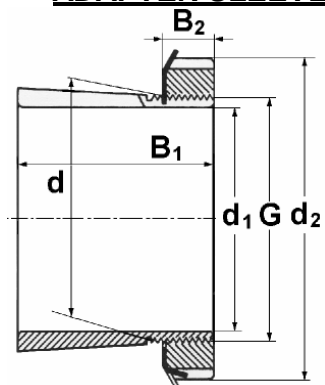
| Sleeve | Principal dimensions | | | | | | Weight | Lock nut | Locking device |
|-------------|----------------------|-----|-----|-----|----|---------|---------|----------|----------------|
| Type | d1 mm | d | d3 | B1 | B2 | G | kg | | |
| H 3984 | 400 | 420 | 490 | 168 | 52 | Tr420X5 | 36,600 | HM3084 | MS3084 |
| H 3088 | 410 | 440 | 520 | 228 | 60 | Tr440X5 | 65,200 | HM3088 | MS3088 |
| H 3088 OH | 410 | 440 | 520 | 228 | 60 | Tr440X5 | 65,000 | HM3088 | MS3092-88 |
| H 3188 | 410 | 440 | 560 | 307 | 70 | Tr440X5 | 104,000 | HM3188 | MS3188 |
| H 3188 OH | 410 | 440 | 560 | 307 | 70 | Tr440X5 | 95,000 | HM3188 | MS3192-88 |
| H 3288 | 410 | 440 | 560 | 361 | 70 | Tr440X5 | 118,000 | HM3188 | MS3188 |
| H 3288 OH | 410 | 440 | 560 | 361 | 70 | Tr440X5 | 117,000 | HM3188 | MS3192-88 |
| H 3988 | 410 | 440 | 520 | 189 | 60 | Tr440x5 | 58,000 | HM3088 | MS3088 |
| H 3092 | 430 | 460 | 540 | 234 | 60 | Tr460X5 | 71,000 | HM3092 | MS3092 |
| H 3092 OH | 430 | 460 | 540 | 234 | 60 | Tr460X5 | 71,000 | HM3092 | MS3092-88 |
| H 3192 | 430 | 460 | 580 | 326 | 75 | Tr460X5 | 116,000 | HM3192 | MS3192 |
| H 3192 OH | 430 | 460 | 580 | 326 | 75 | Tr460X5 | 119,000 | HM3192 | MS3192-88 |
| H 3292 | 430 | 460 | 580 | 382 | 75 | Tr460X5 | 134,000 | HM3192 | MS3192 |
| H 3292 OH | 430 | 460 | 580 | 382 | 75 | Tr460X5 | 134,000 | HM3192 | MS3192-88 |
| H 3992 | 430 | 460 | 540 | 189 | 60 | Tr460x5 | 60,000 | HM3092 | MS3092 |
| H 3096 | 450 | 480 | 560 | 237 | 60 | Tr480X5 | 75,000 | HM3096 | MS30/96 |
| H 3096 OH | 450 | 480 | 560 | 237 | 60 | Tr480X5 | 75,000 | HM3096 | MS30/500-96 |
| H 3196 | 450 | 480 | 620 | 335 | 75 | Tr480X5 | 135,000 | HM3196 | MS3196 |
| H 3196 OH | 450 | 480 | 620 | 335 | 75 | Tr480X5 | 135,000 | HM3196 | MS3196 |
| H 3296 | 450 | 480 | 620 | 397 | 75 | Tr480X5 | 153,000 | HM3196 | MS3196 |
| H 3296 OH | 450 | 480 | 620 | 397 | 75 | Tr480X5 | 153,000 | HM3196 | MS3196 |
| H 3996 | 450 | 480 | 560 | 200 | 60 | Tr480x5 | 66,000 | HM3096 | MS30/96 |
| H 30/500 | 470 | 500 | 580 | 247 | 68 | Tr500x5 | 82,000 | HM30/500 | MS30/500 |
| H 30/500 OH | 470 | 500 | 580 | 247 | 68 | Tr500x5 | 82,000 | HM30/500 | MS30/500-96 |
| H 31/500 | 470 | 500 | 630 | 356 | 80 | Tr500x5 | 145,000 | HM31/500 | MS31/500 |
| H 31/500 OH | 470 | 500 | 630 | 356 | 80 | Tr500x5 | 145,000 | HM31/500 | MS31/500 |
| H 32/500 | 470 | 500 | 630 | 428 | 80 | Tr500x5 | 166,000 | HM31/500 | MS31/500 |
| H 32/500 OH | 470 | 500 | 630 | 428 | 80 | Tr500x5 | 170,000 | HM31/500 | MS31/500 |
| H 39/500 | 470 | 500 | 580 | 208 | 68 | Tr500x5 | 74,300 | HM30/500 | MS30/500 |
| H 30/530 | 500 | 530 | 630 | 265 | 68 | Tr530x6 | 105,000 | HM30/530 | MS30/530 |
| H 30/530 OH | 500 | 530 | 630 | 265 | 68 | Tr530x6 | 105,000 | HM30/530 | MS30/600-530 |
| H 31/530 | 500 | 530 | 670 | 364 | 80 | Tr530x6 | 161,000 | HM31/530 | MS31/530 |
| H 32/530 | 500 | 530 | 670 | 447 | 80 | Tr530x6 | 192,000 | HM31/530 | MS31/530 |
| H 39/530 | 500 | 530 | 630 | 216 | 68 | Tr530x6 | 87,900 | HM30/530 | MS30/530 |
| H 39/530 OH | 500 | 530 | 630 | 216 | 68 | Tr530x6 | 87,900 | HM30/530 | MS30/600-530 |

ADAPTER SLEEVES



| Sleeve Type | Principal dimensions | | | | | Weight kg | Lock nut | Locking device | |
|----------------|----------------------|-----|-----|-----|-----|--------------|-------------|-------------------|--------------|
| | d1 mm | d | d3 | B1 | B2 | | | | G |
| H 30/560 | 530 | 560 | 650 | 282 | 75 | Tr560x6 | 112,000 | HM30/560 | MS30/560 |
| H 30/560 OH | 530 | 560 | 650 | 282 | 75 | Tr560x6 | 112,000 | HM30/560 | MS30/560 |
| H 31/560 | 530 | 560 | 710 | 377 | 85 | Tr560x6 | 185,000 | HM31/560 | MS31/560 |
| H 32/560 | 530 | 560 | 710 | 462 | 85 | Tr560x6 | 219,000 | HM31/560 | MS31/560 |
| H 39/560 | 530 | 560 | 650 | 227 | 75 | Tr560x6 | 95,000 | HM30/560 | MS30/560 |
| H 39/560 OH | 530 | 560 | 650 | 227 | 75 | Tr560x6 | 95,000 | HM30/560 | MS30/560 |
| H 30/600 | 560 | 600 | 700 | 289 | 75 | Tr600x6 | 147,000 | HM30/600 | MS30/600 |
| H 30/600 OH | 560 | 600 | 700 | 289 | 75 | Tr600x6 | 147,000 | HM30/600 | MS30/600-530 |
| H 31/600 | 560 | 600 | 750 | 399 | 85 | Tr600x6 | 234,000 | HM31/600 | MS31/600 |
| H 32/600 | 560 | 600 | 750 | 487 | 85 | Tr600x6 | 278,000 | HM31/600 | MS31/600 |
| H 39/600 | 560 | 600 | 700 | 239 | 75 | Tr600x6 | 127,000 | HM30/600 | MS30/600 |
| H 39/600 OH | 560 | 600 | 700 | 239 | 75 | Tr600x6 | 127,000 | HM30/600 | MS30/600-530 |
| H 30/630 | 600 | 630 | 730 | 301 | 75 | Tr630x6 | 138,000 | HM30/630 | MS30/630 |
| H 30/630 OH | 600 | 630 | 730 | 301 | 75 | Tr630x6 | 138,000 | HM30/630 | MS30/630 |
| H 31/630 | 600 | 630 | 800 | 424 | 95 | Tr630x6 | 254,000 | HM31/630 | MS31/630 |
| H 32/630 | 600 | 630 | 800 | 521 | 95 | Tr630x6 | 300,000 | HM31/630 | MS31/630 |
| H 39/630 | 600 | 630 | 730 | 254 | 75 | Tr630x6 | 120,000 | HM30/630 | MS30/630 |
| H 39/630 OH | 600 | 630 | 730 | 254 | 75 | Tr630x6 | 124,000 | HM30/630 | MS30/630 |
| H 30/670 | 630 | 670 | 780 | 324 | 80 | Tr670x6 | 191,000 | HM30/670 | MS30/670 |
| H 30/670 OH | 630 | 670 | 780 | 324 | 80 | Tr670x6 | 190,000 | HM30/670 | MS30/670 |
| H 31/670 | 630 | 670 | 850 | 456 | 106 | Tr670x6 | 340,000 | HM31/670 | MS31/670 |
| H 32/670 | 630 | 670 | 850 | 558 | 106 | Tr670x6 | 401,000 | HM31/670 | MS31/670 |
| H 39/670 | 630 | 670 | 780 | 264 | 80 | Tr670x6 | 163,000 | HM30/670 | MS30/670 |
| H 39/670 OH | 630 | 670 | 780 | 264 | 80 | Tr670x6 | 162,000 | HM30/670 | MS30/670 |
| H 30/710 | 670 | 710 | 830 | 342 | 90 | Tr710x7 | 223,000 | HM30/710 | MS30/710 |
| H 30/710 OH | 670 | 710 | 830 | 342 | 90 | Tr710x7 | 228,000 | HM30/710 | MS30/710 |
| H 31/710 | 670 | 710 | 900 | 467 | 106 | Tr710x7 | 378,000 | HM31/710 | MS31/710 |
| H 32/710 | 670 | 710 | 900 | 572 | 106 | Tr710x7 | 444,000 | HM31/710 | MS31/710 |
| H 39/710 | 670 | 710 | 830 | 286 | 90 | Tr710x7 | 196,000 | HM30/710 | MS30/710 |
| H 39/710 OH | 670 | 710 | 830 | 286 | 90 | Tr710x7 | 183,000 | HM30/710 | MS30/710 |
| H 30/750 | 710 | 750 | 870 | 356 | 90 | Tr750x7 | 246,000 | HM30/750 | MS30/750 |
| H 31/750 | 710 | 750 | 950 | 493 | 112 | Tr750x7 | 451,000 | HM31/750 | MS31/750 |
| H 32/750 | 710 | 750 | 950 | 603 | 112 | Tr750x7 | 507,000 | HM31/750 | MS31/750 |
| H 39/750 | 710 | 750 | 870 | 291 | 90 | Tr750x7 | 211,000 | HM30/750 | MS30/750 |
| H 30/800 | 750 | 800 | 920 | 366 | 90 | Tr800x7 | 300,000 | HM30/800 | MS30/800 |

ADAPTER SLEEVES



| Sleeve | Principal dimensions | | | | | | Weight | Lock nut | Locking device |
|----------|----------------------|-----|------|-----|-----|---------|---------|----------|----------------|
| Type | d1 mm | d | d3 | B1 | B2 | G | kg | | |
| H 31/800 | 750 | 800 | 1000 | 505 | 112 | Tr800x7 | 515,000 | HM31/800 | MS31/800 |
| H 32/800 | 750 | 800 | 1000 | 618 | 112 | Tr800x7 | 610,000 | HM31/800 | MS31/800 |
| H 39/800 | 750 | 800 | 920 | 303 | 90 | Tr800x7 | 259,000 | HM30/800 | MS30/800 |